

FEATURES

- Double USB (type A) port insert with fixing plate for flush back box (reference 830007)
- Available cover colours (sold separately, with reference 83000080X, where X = colour):
 - Anthracite (X=5)
 - Silver (X=6)
 - Gloss white (X=8)
 - Matt white (X=9)
- Flush fitting with ZS55 series 1 to 4-gang frames (sold separately, with reference 980000Y0X, where Y = number of gangs, X = colour)
- The use of fixing clamps is optional. This reference is sold separately (reference ZACZSCLA)
- Dimensions 55.5 x 55.5 x 36.7 mm
- Low profile: it protrudes 9.5 mm from the wall
- Flush-mounted installation
- Conformity with the CE directives (CE-mark on the back side)

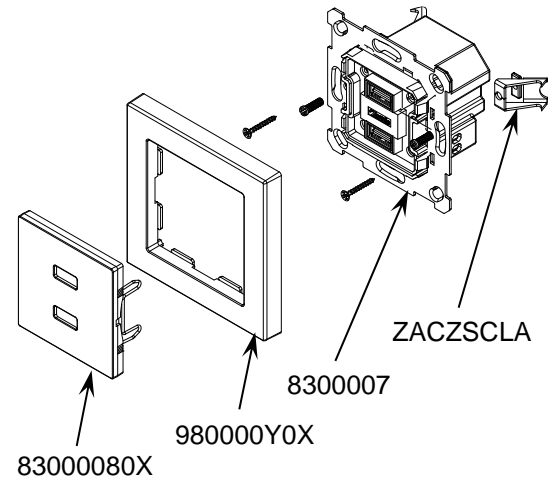


Figure 1. Double USB Charger

GENERAL SPECIFICATIONS		
CONCEPT	DESCRIPTION	
External power supply	Voltage	110-240 VAC 50/60 Hz
	Maximum consumption	300 mA @ 110 VAC / 150 mA @ 240 VAC
Output voltage	5 VDC SELV	
Total maximum output current	3.5 A @ 240 VAC / 3 A @ 110 VAC	
Total maximum output power	17.5 W	
Average active efficiency	87%	
Efficiency at low load (10%)	85%	
No-load power consumption	<0.05 W	
Operation temperature	0 .. +55 °C	
Storage temperature	-20 .. +55 °C	
Operation humidity	5 .. 95% RH	
Storage humidity	5 .. 95% RH	
Degree of protection	IP20, clean environment	
Installation	Independent device to be installed in back boxes	
Weight	93 g	
Housing material	PC+ABS FR V0 halogen free	

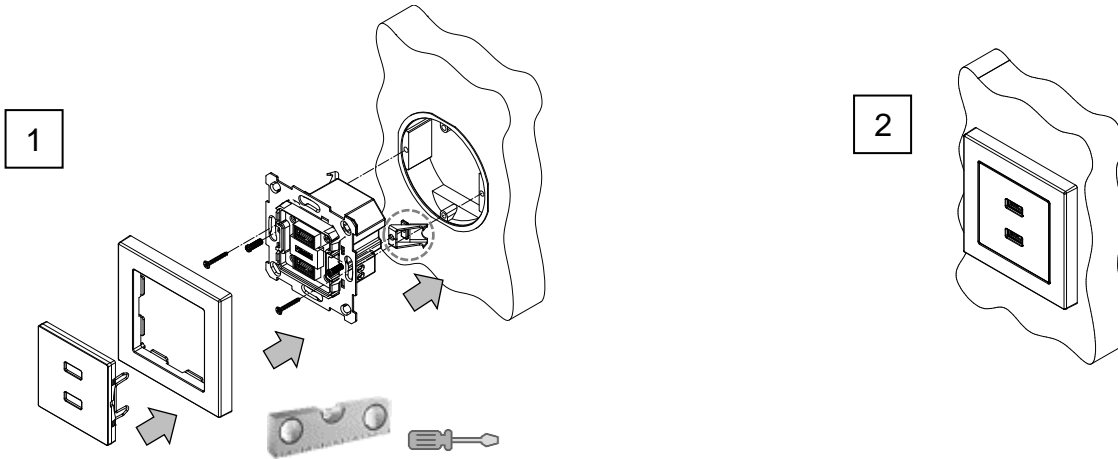
EXTERNAL POWER SUPPLY SPECIFICATIONS AND CONNECTIONS		
CONCEPT	DESCRIPTION	
Power supply protection fuse	Voltage	250 VAC
	Current	2 A
	Response type	F (Fast acting)
Connection method	Screw terminal block (0.4 Nm max.)	
Cable cross-section	0.5-2.5 mm ² (IEC) / 26-12 AWG (UL)	

USB OUTPUTS SPECIFICATIONS AND CONNECTIONS	
CONCEPT	DESCRIPTION
Mechanism type	USB type A
Number of outputs	2
Maximum USB cable length	3 m

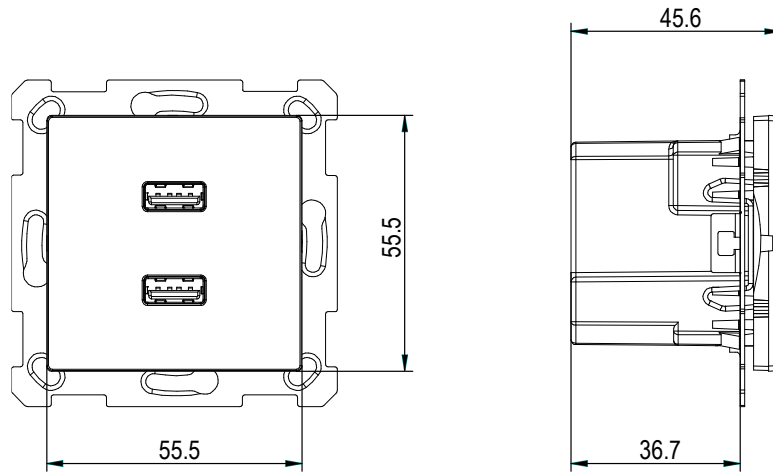
INSTALLATION INSTRUCTIONS

1. Connect the cables to the terminals and fasten the fixing plate into a square or round flush back box by using the screws from the back box (fixing clamps can optionally be used). Check that the plate is correctly leveled.
2. Fix the frame with the cover into its final position checking that the device is duly fixed.

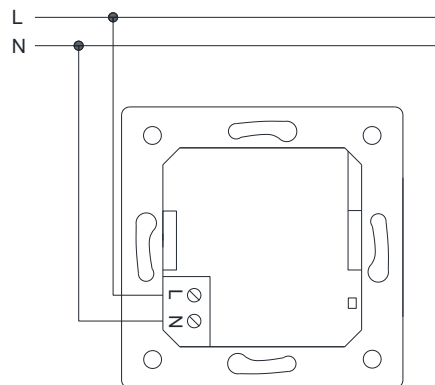
To remove it, proceed the reverse way with the help of a screwdriver.



DIMENSIONS (mm)



WIRING DIAGRAMS



SAFETY INSTRUCTIONS AND ADDITIONAL NOTES

- Installation should only be performed by qualified professionals according to the laws and regulations applicable in each country.
- The facility must be equipped with a device that ensures the omnipolar sectioning. Installation of a 10 A mini-circuit-breaker is recommended. To prevent accidents, it must remain open in case of manipulation of the device.
- This device contains a security short-circuit proof transformer.
- For indoor use only.
- Keep the device away from water (condensation over the device included) and do not cover it with clothes, paper or any other material while in use.
- The WEEE logo means that this device contains electronic parts and it must be properly disposed of by following the instructions at <https://www.zennio.com/en/legal/weee-regulation>.