

FEATURES

- Temperature probe with 0.5 °C accuracy (@25 °C)
- Dimensions 82 x 82 x 24.8 mm
- Flush mount on back box
- Conformity with the CE, UKCA, RCM directives (CE-mark on the back)

1. Connector		2. Front glass	
GENERAL SPECIFICATIONS			
CONCEPT	DESCRIPTION		
Operation temperature	0 .. +55 °C		
Storage temperature	-20 .. +55 °C		
Operation humidity	5 .. 95 %		
Storage humidity	5 .. 95 %		
Safety Class	III		
Type of protection	IP20, clean environment		
Installation	Flush mount on back box		
Weight	68 g		
Housing material	PC+ABS FR V0 halogen free		
Thermistor value (@25 °C)	6.8 kΩ		
Connection method	Pluggable screw terminal block		
Cable cross-section	0.2-1.5 mm ² (IEC) / 28-14 AWG (UL)		

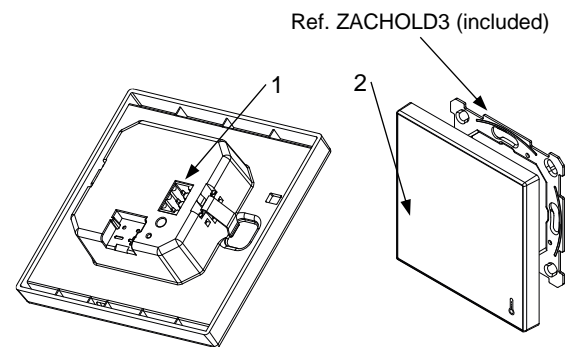
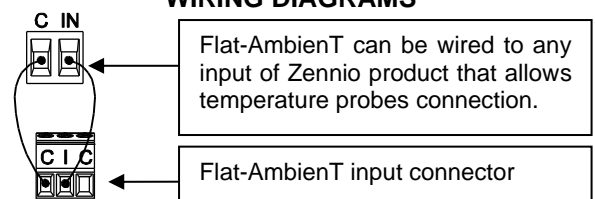


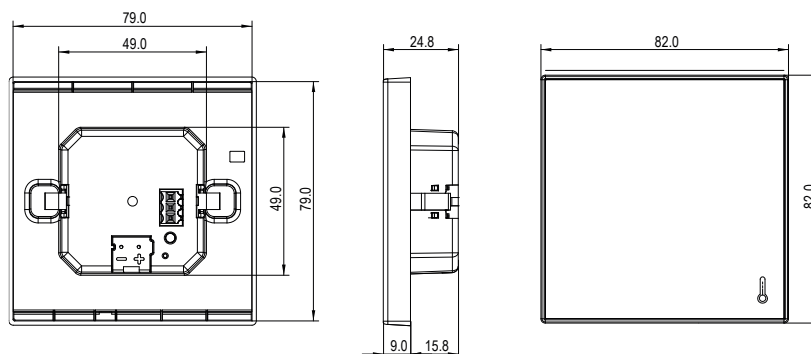
Figure 1. Flat AmbientT

WIRING DIAGRAMS



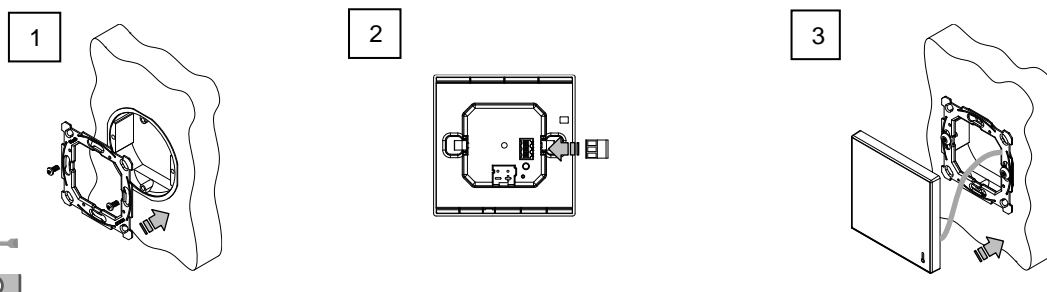
Note: This product is just a temperature probe and it is not a KNX device.

DIMENSIONS (mm)



INSTALLATION INSTRUCTIONS

1. Fix the metal plate into a double back box by using the screws from the box, checking that it is levelled.
2. Connect the terminal to the back of the device.
3. Fit the device into its final position and check that the strength of the clips is enough to fix the device.



SAFETY INSTRUCTIONS AND ADDITIONAL NOTES

- Installation should only be performed by qualified professionals according to the laws and regulations applicable in each country.
- Do not connect the mains voltage nor any other external voltage to any point of the KNX bus; it would represent a risk for the entire KNX system. The facility must have enough insulation between the mains (or auxiliary) voltage and the KNX bus or the wires of other accessories, in case of being installed.
- Keep the device away from water and do not cover it with clothes, paper or any other material while in use.
- The WEEE logo means that this device contains electronic parts and it must be properly disposed of by following the instructions at <http://zennio.com/wEEE-regulation>.